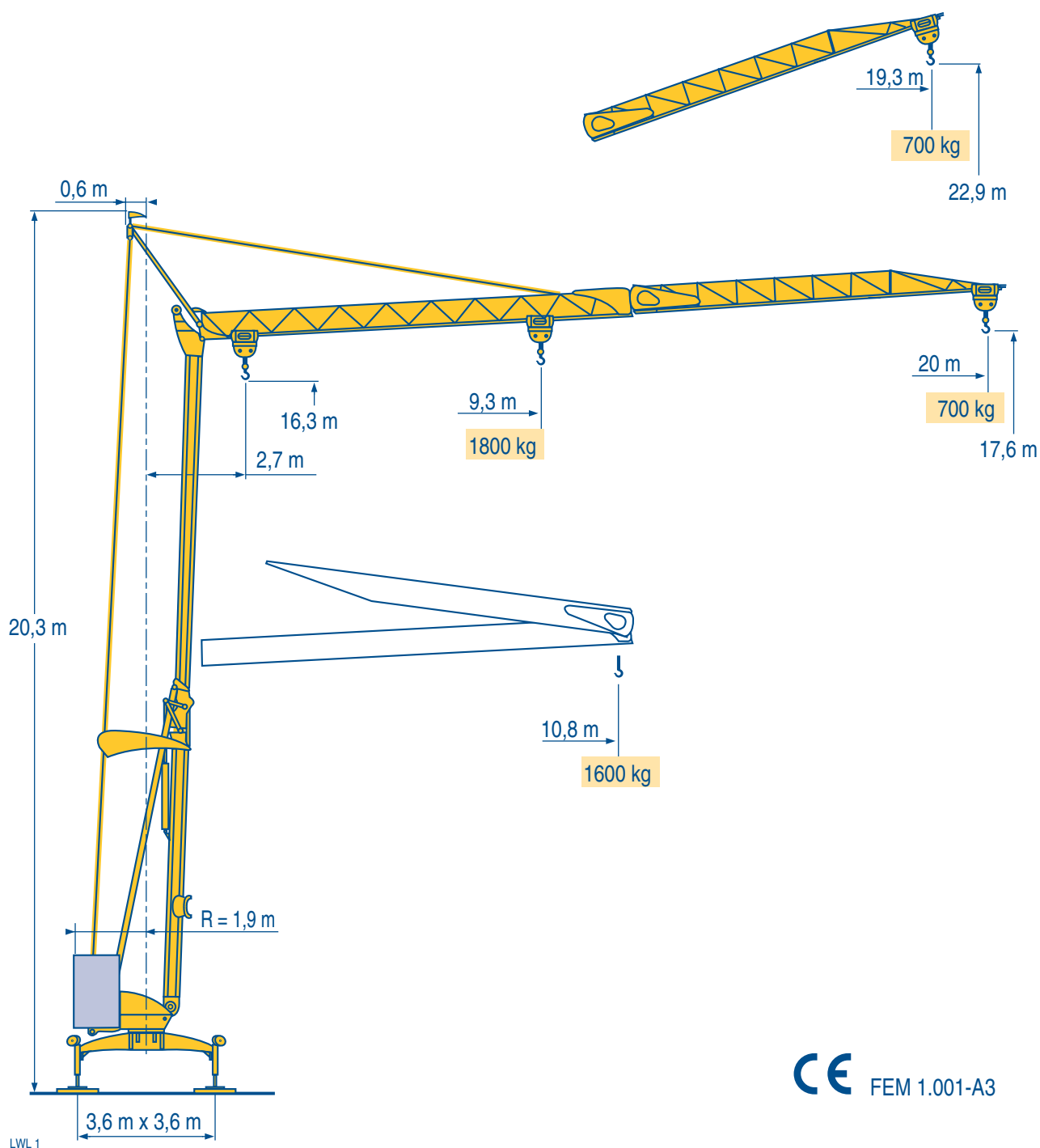


Igo M13



CE FEM 1.001-A3

- Igo HD HDM
- HDT
- GTMR
- CITY CRANE
- TOPKIT MD MAXI MD
- MAXI TOPKIT
- Topless MDT
- MR

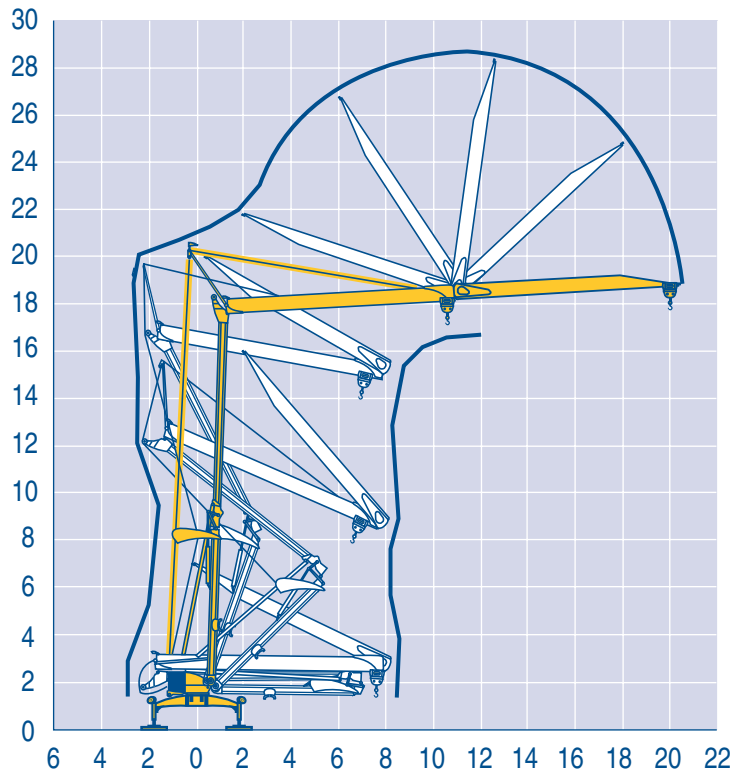


Montage
Montage

F
D
Erection
Montaje

GB
E
Montaggio
Montagem

I
P



LWL 1

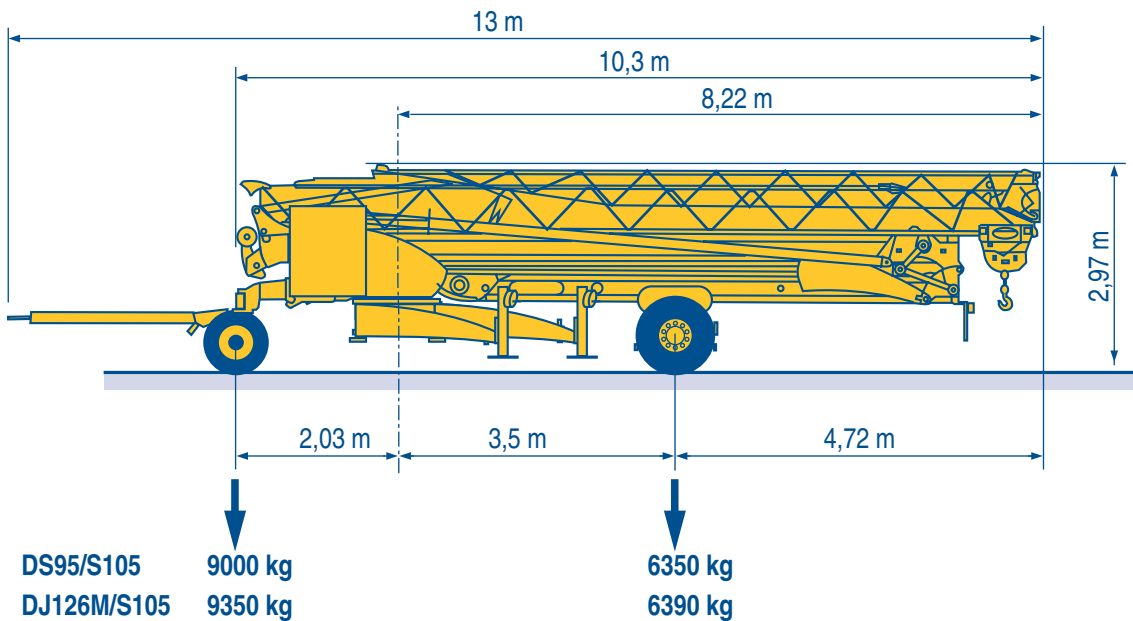
Transport
Transport

F
D
Transport
Transporte

GB
E
Trasporto
Transporte

I
P

DS95/S105
DJ126M/S105



LWL 1

Document commercial non contractuel. Pour toute information technique se référer à la notice correspondante

Unverbindliches Vertriebsdokument. Für technische Informationen, siehe die entsprechenden Anweisungen.

This commercial document is not legally binding. For any technical information, please refer to the corresponding instructions.

Documento comercial non contractuel. Para cualquier información técnica, ver la noticia correspondiente.

Documento commerciale non vincolante, per tutte le informazioni tecniche fare riferimento al catalogo istruzioni

Documento comercial não contractual. Para qualquer informação técnica complementar consultar as respectivas instruções

POTAIN

18.Rue de Charbonnières, B.P. 173
F-69132 ECULLY Cedex
Tél. (33)04.72.18.20.20
Fax (33)04.72.18.20.00
http://www.potain.com
E-mail : mkt@potain.fr

Manitowoc Crane Group

Deutschland
POTAIN GmbH
Italia
POTAIN S.p.A.
Portugal
POTAIN Portugal
Singapore
MANITOWOC POTAIN PTE LTD

Tel : 06.1.05.70.40
Tel : 0.331.49.33.11
Tel : 22.968.08.89
Tel : 227.15.50

Copyright.Reproduction interdite © POTAIN 2001

Igo M13

Réf. 2002.15 LWL 1

Reserva de modificações / Modifiche riservate / Modificaciones reservadas / Subject to modification / Änderungen vorbehalten / Modificações reservadas / Printed in France / Realisation HeadLines